



HLK-430/HLB-430

**电脑直接驱动打结机
电脑直接驱动钉扣机**

零件样本

**上海标准海菱缝制机械有限公司
SHANGHAI BIAOZHUN HAILING SEWING MACHINERY CO., LTD.**

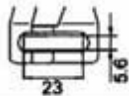
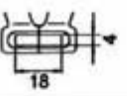
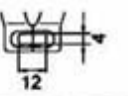

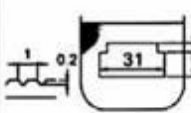
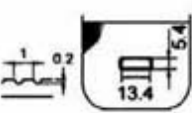
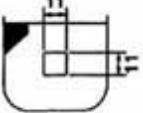
规格

HLK-430-0

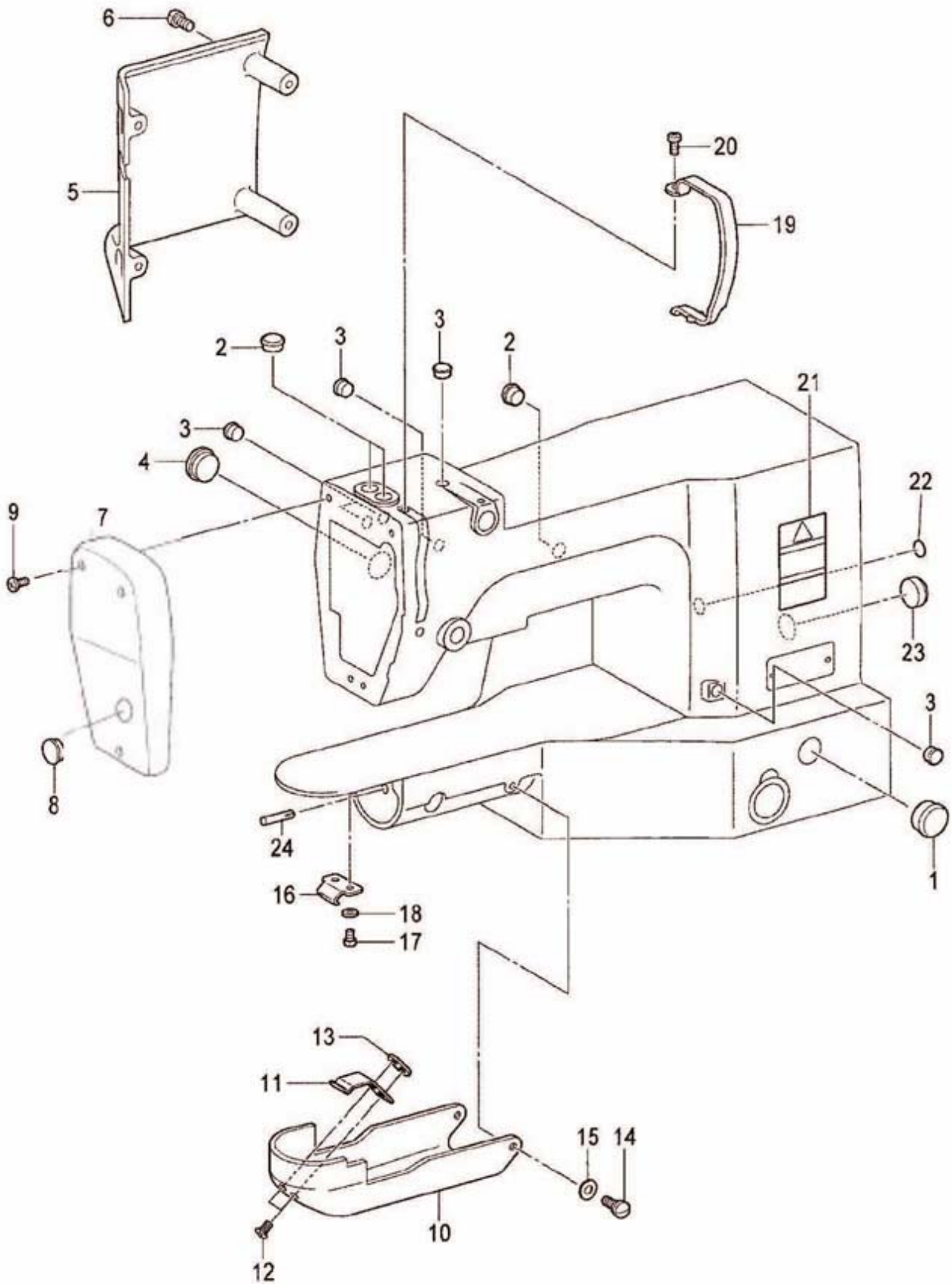
HLB-430

1	普通
2	牛仔布

	HLK-430	HLB-430
线迹样式	单针平缝	
最高缝纫速度	3,200 rpm	2,700 rpm
缝制区域(X-Y)	最大40 X 30 mm	最大6.4 X 6.4 mm
送布方式	步进电机驱动方式	
针距	0.05~12.7 mm	
针数	任意(关于输入完成的图案缝制, 参照“程序一览”)	
最大针数	100,000针	
拍压脚方式	步进电机驱动方式	
压脚上升量 纽扣上升量	标配17mm 最大19mm	最大13mm
使用旋梭	半回转标准旋梭(2倍旋梭另售)	半回转标准旋梭
扫线装置	标准装备	
切线装置	标准装备	
夹线装置	选配	
数据存储方式	SD卡	
用户程序数	50	
循环程序数	9个循环(各99个程序)	
存储数据数	已输入89种缝制图案	已输入49种缝制图案
	(最多可以增加缝制数据200种, 增加总针数约在100,000针以内)	
马达	AC伺服马达550W	
重量	机头: 约 56kg、操作盘: 约 0.6kg 控制箱: 7.5kg	
电源	单相220V	
可用于缝制的纽扣尺寸		外径8-30mm (20mm 以上的用选购纽扣夹组件B)

	HLK-430			HLB-430
规格 / Spec.	-2	-1	-7	
R	153608-101 ★	152777-001 ★	S49695-001 ★	
L	154527-001 ★	152778-001 ★	S49694-001 ★	
(C-68, 69) 压脚 Work clamp				
(C-28) 送布板 Feed plate	SA3378-001 (用于3mm) (For 3mm use)	SA3607-001 (用于2mm) (下沉式 L Submerged-type, L)	SA3609-001 (用于2mm) (For 2mm use)	SA3606-001
				
(B-34, Z19) 机针 Needle	DPX17 NY <#19> ★	DPX5 <#14> ★	DPX5 <#9> ★	DPX17NY <#12>

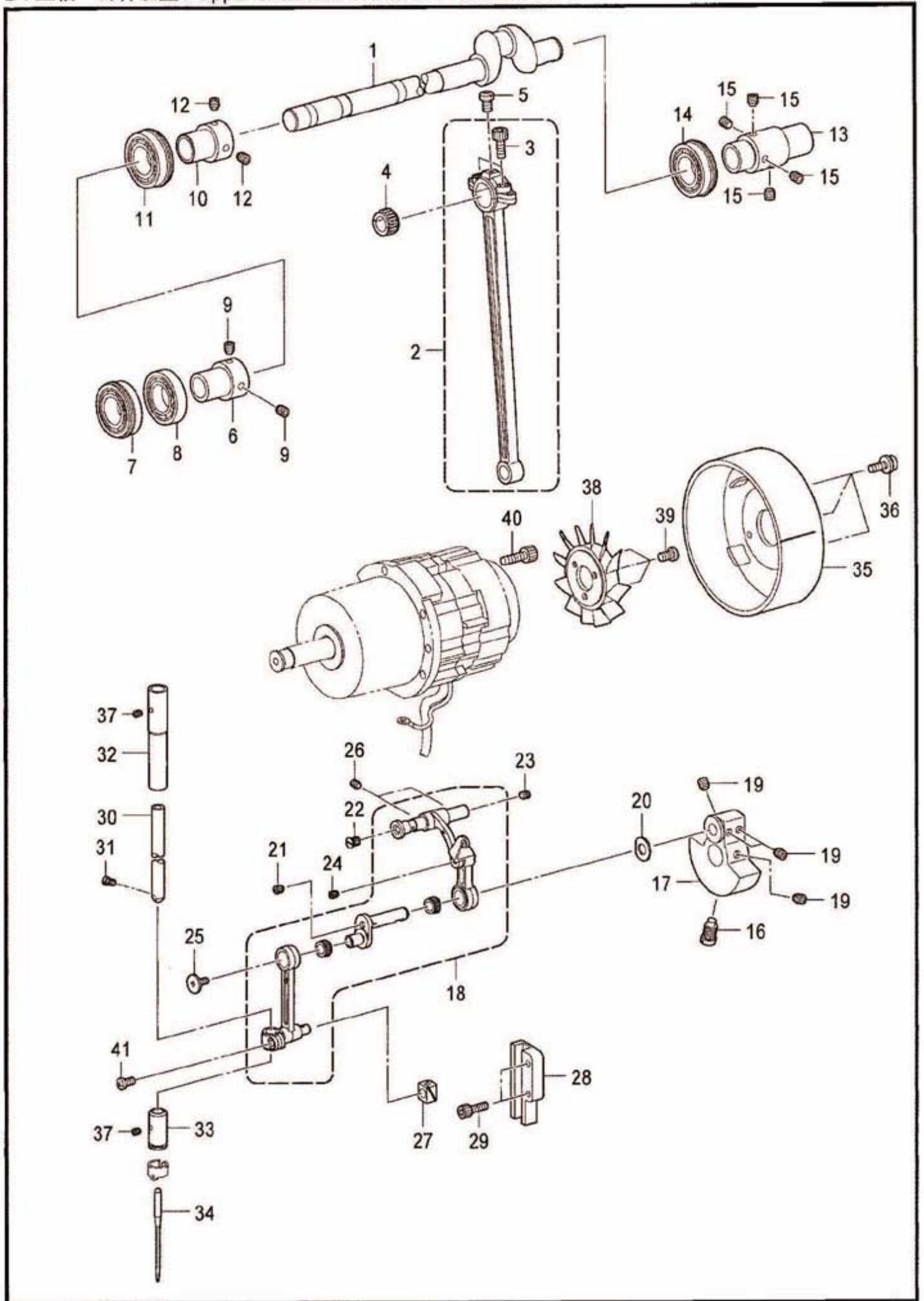
A. 机体部分 / Machine body



1. 机壳部件 Machine body

No.	Ref.No.	Description	Qt.	Note
1	140392009	油盖 Oil cap	1	
2	117934001	橡皮塞 13.5 Rubber cap 13.5	3	
3	104821001	橡皮塞 10.5 Rubber cap 10.5	5	
4	140392009	油盖 Oil cap	1	
5	SA3260001	侧盖板 Frame side cover	1	
6	062061016	螺钉 M6X10 Screw M6X10	4	
7	SA3199001	主面板 Face plate	1	
8	104449001	橡皮塞 15.5 Rubber cap 15.5	1	
9	062501016	螺钉 M5X10 Screw M5X10	3	
10	SA4464001	大旋梭盖 Shuttle race cover	1	
11	SA3263001	大旋梭盖钩 D Shuttle race cover hook D	1	
12	004300513	螺钉 M3X5 Screw M3X5	2	
13	SA3264001	板螺母 Nut plate	1	
14	SA3265001	轴位螺钉 8-2 Shoulder screw 8-2	2	
15	109239002	波形垫圈 Washer	2	
16	SA3265001	大旋梭盖钩 U Shuttle race cover hook U	1	
17	062300416	螺钉 M3X4 Screw M3X4	2	
18	025030236	平垫圈 M3 Washer M3	2	
19	SA3265001	挑线杆防护罩 Thread take-up cover	1	
20	062401006	螺钉 M4X10 Screw M4X10	1	
21	S38349001	操作注意标签 Label	1	
22	S37060001	接地标志 Label,Grounding	1	
23	S28044001	橡皮塞 20.8 Rubber cap 20.8	1	
24	117608001	梭床定位销 B4x20 Pin B4x20	1	

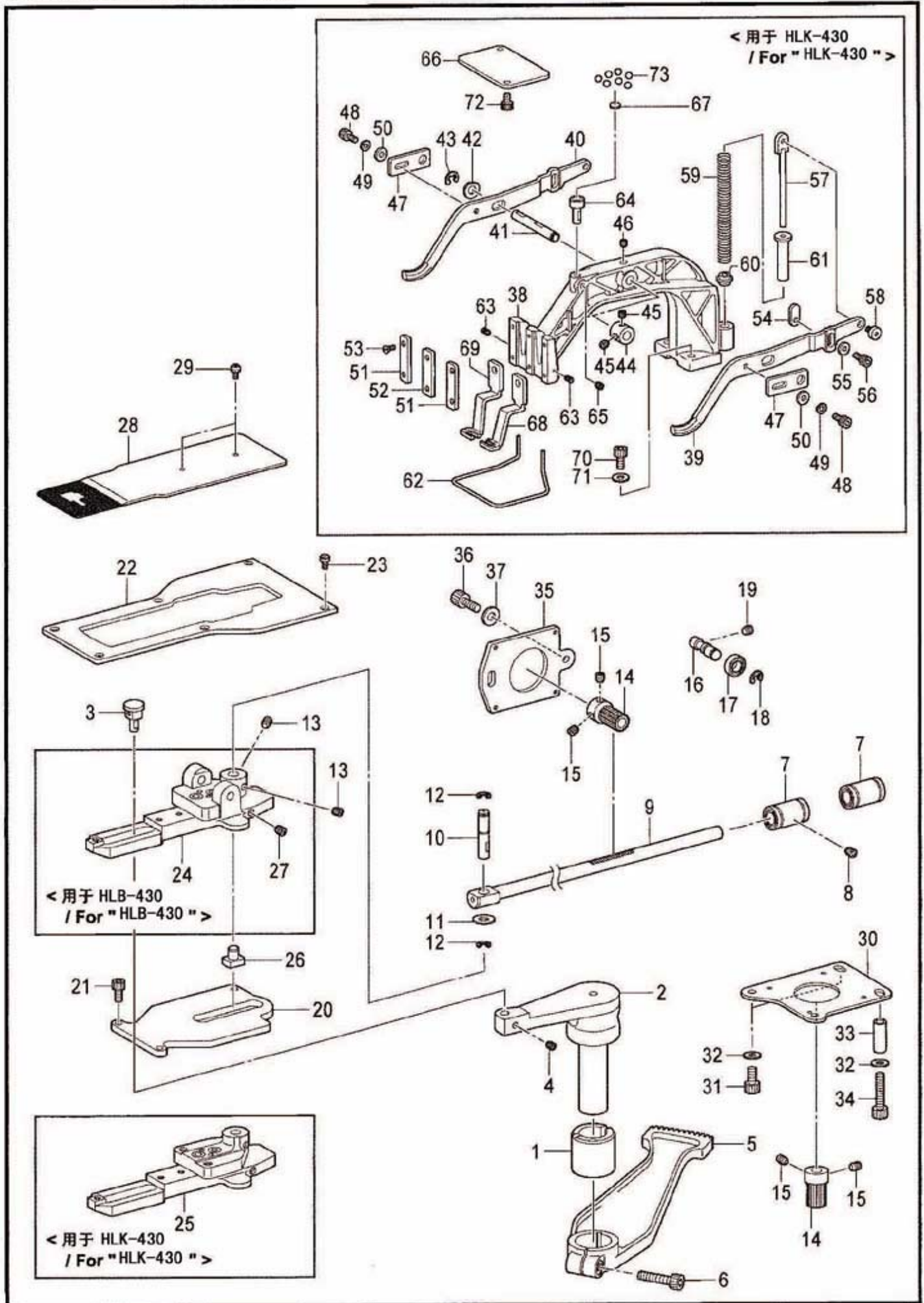
B. 上轴 · 针杆装置 / Upper shaft and needle bar mechanism



2. 上轴・针杆部件 Upper shaft and needle bar mechanism

No.	Ref.No.	Description	Qt.	Note
1	SA3201001	上轴 Upper shaft	1	
2	SA3499001	连杆组件 Connecting assy	1	
3	018501636	螺栓 M5 x 16 Bolt,Socket M5 x 16	2	
4	SA3267001	滚针轴承 H Needle bearing H	2	< 选配 >
4	SA3292001	滚针轴承 H Needle bearing H	2	Optiona
4	SA3450001	滚针轴承 H Needle bearing H	2	< 选配 >
4	SA3484001	滚针轴承 H Needle bearing H	2	< 选配 >
5	062300416	螺钉 M3X4 Screw M3X4	1	< 选配 >
6	SA3206001	轴承套 Ball bearing bush	1	
7	SA4179001	轴承 6904ZZNR Ball bearing, 6904ZZNR	1	
8	SA4180001	轴承 R-6904ZZ Ball bearing R-6904ZZ	1	
9	012060636	固定螺钉 M6X6 Set screw M6X6	2	
10	SA3206001	轴承套 Ball bearing bush	1	
11	SA4177001	轴承 6004ZZNR Ball bearing 6004ZZNR	1	
12	012060636	固定螺钉 M6X6 Set screw M6X6	2	
13	SA3210001	联轴器 A (HLK-430) coupling (HLK-430)	1	
13	SA3289001	联轴器 B (HLB-430) coupling (HLB-430)	1	
14	SA4187001	轴承 6204ZZNR Ball bearing 6204ZZNR	1	
15	S23651001	固定螺钉 M6X6 Set screw M6X6	4	
16	S25235001	螺钉 M8 Screw M8	1	
17	SA3497001	曲柄 C (HLK-430) Thread take-up crank,C (HLK-430)	1	
17	SA3591001	曲柄 B (HLB-430) Thread take-up crank,B (HLB-430)	1	
18	SA4328001	针杆连杆组件(HLK-430)Thread take-up lever,asset(HLK-430)	1	
18	SA4327001	针杆连杆组件(HLB-430)Thread take-up lever,asset (HLB-430)	1	
19	S23659001	固定螺钉 M6X6 Set screw M6X6	4	
20	110367001	垫圈 8 Washer 8	1	
21	012300336	固定螺钉 M3x3 Set screw M3x3	1	
22	SA2958001	螺钉 M5x6 Screw M5x6	1	
23	012500536	固定螺钉 M5x5 Set screw M5x5	1	
24	012300336	固定螺钉 M3x3 Set screw M3x3	1	
25	145645001	螺钉 SM3.57-40 x 6L Screw SM3.57-40 x 6L	1	
26	S23651001	固定螺钉 M6X6 Set screw M6X6	2	
27	SA3488001	针杆滑块 Slide block	1	
28	SA3528001	滑块导向 Slide block guide	1	
29	018401636	螺栓 M4X16 Bolt,Socket M4X16	2	
30	SA3222001	针杆 Needle bar	1	
31	144458001	螺钉 SM3.57-40X4.5 Screw SM3.57-40X4.5	1	
32	SA3227001	针杆轴套 U Needle bar bush,U	1	
33	SA3224001	针杆轴套 D Needle bar bush,D	1	
34	SA3224001	机针 Needle	1	
35	*	上轮 Pulley	1	
36	SA3025001	螺栓(带垫圈)M4X10DA Screw,Pan(S/P Washer) M4X10	3	
37	012500536	固定螺栓 M5X5 Bolt,Socket M5X5	2	
38	S38713100	叶轮 Fan	1	
39	062400806	螺钉 M4X8 Screw M4X8	3	
40	018501636	螺栓 M5 x 16 Bolt,Socket M5 x 16	4	
41	062400816	螺钉 M4X8 Screw M4X8	1	

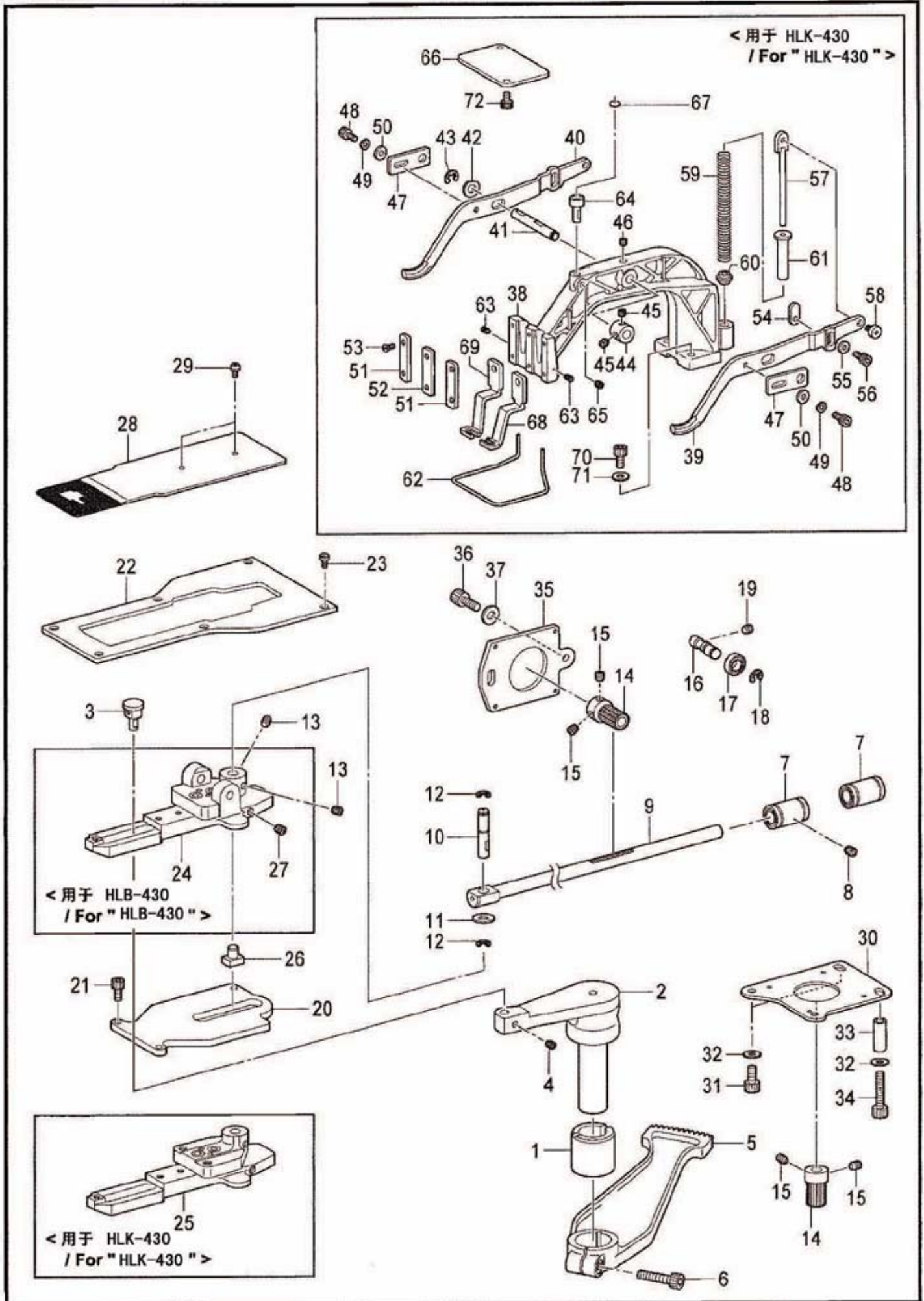
C. 送料装置 / Feed mechanism



3. 送料部件 Feed mechanism

No.	Ref.No.	Description	Qt.	Note
1	SA3363001	送料杆轴套 X X-Feed lever bush	1	
2	SA3364001	送料杆 X X-Feed lever	1	
3	SA3533001	送料杆滑块组件 X T-Length regurator block assy	1	
4	012500536	固定螺钉 M5x5 Set screw M5x5	1	
5	SA3366001	送料齿轮 X X-Feed gear	1	
6	018063036	螺栓 M6X30 Bolt,Socket M6X30	1	
7	XC5780001	轴向轴承 10 Bearing10,Liner	2	
8	012060636	螺钉 M6X6 Set screw M6X6	2	
9	SA3367001	齿条轴 Y Y-Feed rack shaft	1	
10	SA3368001	轴销 Y Y-Connecting pin	1	
11	153119001	平垫圈 Thrust washer	1	
12	048060342	挡圈 E6 Retaining ring E6	2	
13	012060636	螺钉 M6X6 Set screw M6X6	2	
14	SA4197001	送料齿轮 Feed gear	2	
15	012060636	螺钉 M6X6 Set screw M6X6	4	
16	SA3370001	偏心轴 Eccentric shaft	1	
17	070608800	R 球轴承 608ZZ Ball bearing , Ardial 608ZZ	1	
18	048080142	轴用挡圈 C8 Retaining ring ,External C8	1	
19	012060636	固定螺钉 M6X6 Set screw M6X6	1	
20	SA3371001	送料台支板 Feed bar support plate	1	
21	018401036	螺栓 M4X10 Bolt,Socket M4X10	3	
22	SA3372001	送料台盖板 Feed bar cover	1	
23	SA3538001	螺钉 M4X8 Screw M4X8	6	
24	SA3604001	送料台 Feed bar sub	1	HLK-430
25	SA3373001	送料台 Feed bar sub	1	HLB-430
26	SA3534001	送料杆滑块组件 Y T-Width regurator brock assy	1	
27	012060636	固定螺钉 M6X6 Set screw M6X6	1	
28	*	送料板 Feed plate	1	
29	153057101	螺钉 SM4.37 Screw SM4.37	2	
30	SA3381001	马达安装板 X X-Motor setting plate	1	
31	018061236	螺栓 M6X12 Bolt,Socket M6X12	2	
32	025060236	平垫圈 M6 Washer M6	3	
33	SA3708001	套筒 Collar	1	
34	018063536	螺栓 M6X35 Bolt, Socket M6X35	1	
35	SA3382001	马达安装板 Y Y-Motor setting plate	1	
36	018061236	螺栓 M6X12 Bolt, socet M6X12	2	
37	025060236	平垫圈 M6 Washer M6	2	

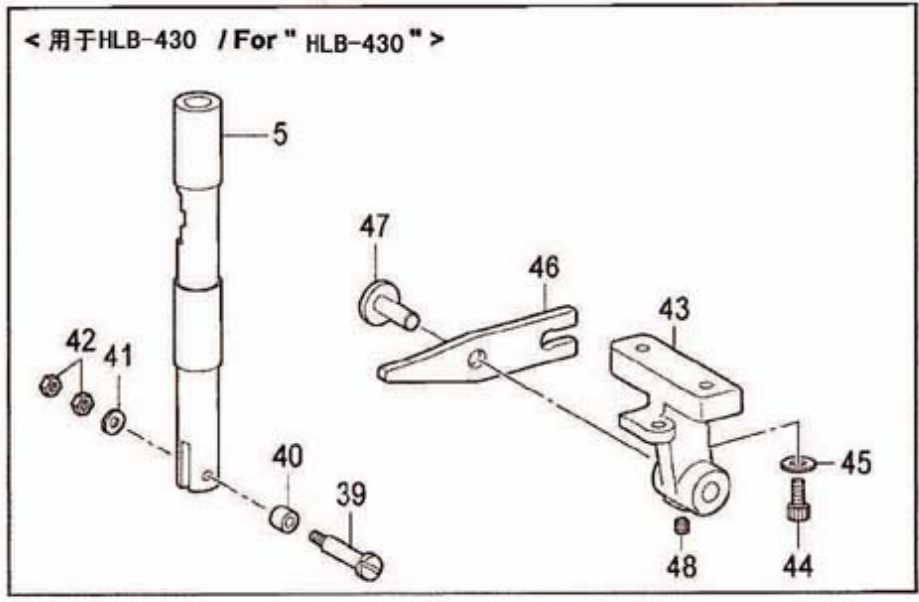
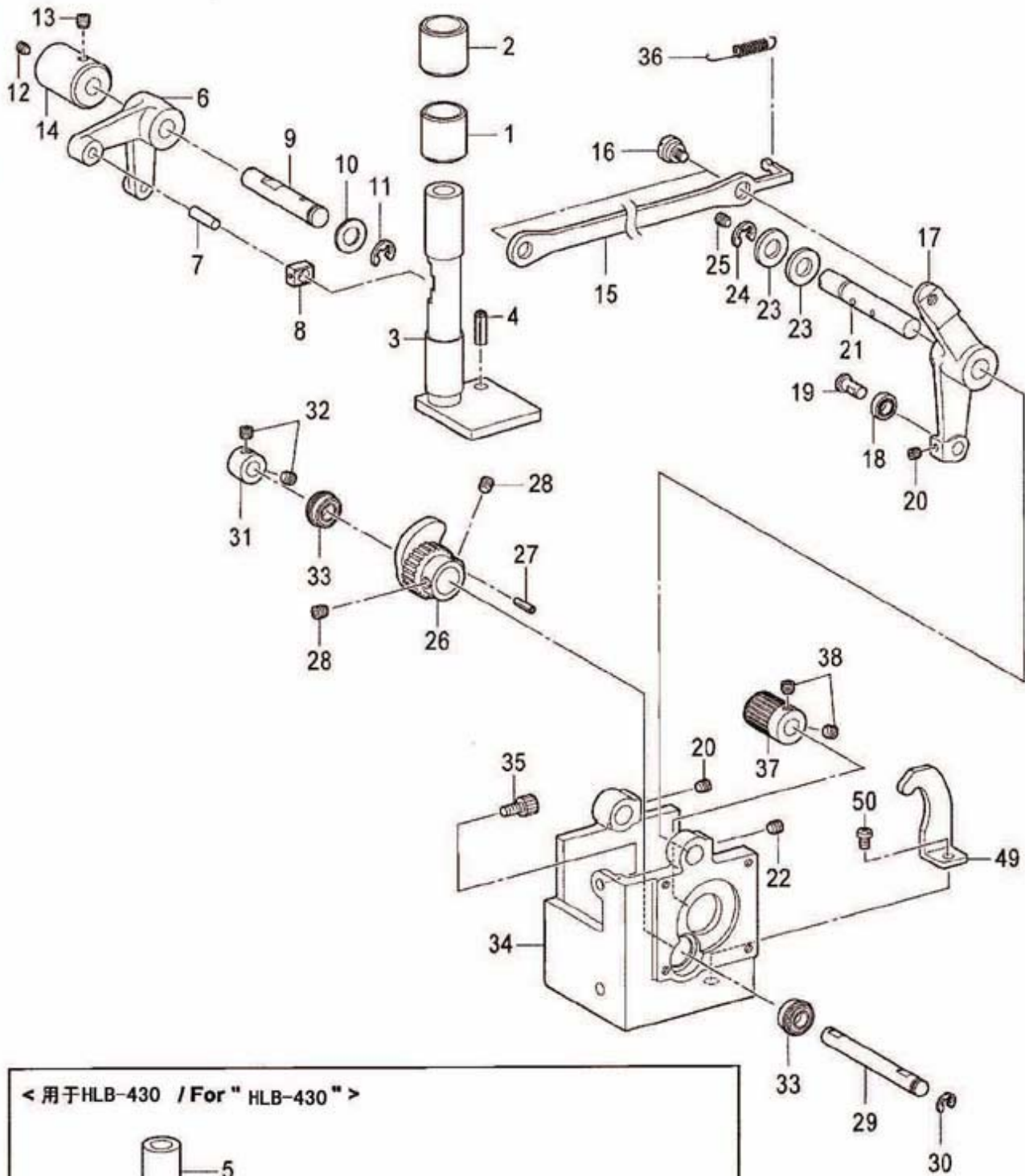
C. 送料装置 / Feed mechanism



3. 送料部件 Feed mechanism

No.	Ref.No.	Description	Qt.	Note
38	SA3419001	压脚臂 Work clamp arm	1	
39	SA3420001	压脚臂杠杆 R Work clamp arm lever R	1	
40	SA3421001	压脚臂杠杆 L Work clamp arm lever L	1	
41	SA3422001	压脚臂杠杆轴 Work clamp arm lever shaft	1	
42	110367001	平垫圈 8 Washer 8	1	
43	048060346	挡圈 E6 Retaining ring E6	1	
44	SA3231001	紧圈 Set screw collar	1	
45	012060536	螺钉 M6X5 Set screw M6X5	2	
46	012500536	螺钉 Set screw	1	
47	SA3623001	QC 杆轴支架 Work clamp lever support	2	
48	012500836	螺栓 M5X8 Bolt,Socket M5X8	2	
49	028050246	弹簧垫圈 2-5 Washer, Spring 2-5	2	
50	025050236	平垫圈 M5 Washer M5	2	
51	SA3424001	压脚板 A Work clamp guide bracket,A	2	
52	SA3425001	压脚板 B Work clamp guide bracket,B	1	
53	SA3426001	螺钉 M3.5 Screw M3.5	6	
54	SA3208001	压脚高度调节板 Work clamp arm lever plate	2	
55	146354002	平垫圈 5 Washer 5	2	
56	018500836	螺栓 M5X8 Bolt, Socket M5X8	2	
57	SA3427001	弹簧导向杆 Spring guide rod	2	
58	SA1179001	轴位螺钉 M5 Shoulder screw M5	2	
59	153568001	弹簧 A Presser spring A	2	
60	152788000	弹簧座圈 Presser spring spacer	2	
61	153567000	弹簧导柱 Presser spring collar	2	
62	SA4130001	护指器 Finger guard	1	
63	SA2626001	固定螺钉 M3.5 Set screw M3.5	2	
64	SA3428001	压脚臂短轴 Support shaft	1	
65	012500536	固定螺钉 M5X5 Set screw M5X5	1	
66	SA3487001	压脚臂支板 Work clamp arm support plate	1	
67	SA4145001	垫片 Spacer	1	
68	*	压脚 R Work clamp, right	1	
69	*	压脚 L Work clamp left	1	
70	018061636	螺栓 M6X16 Bolt, socket M6X16	2	
71	025060236	平垫圈 M6 Washer M6	2	
72	018400836	螺栓 M4X8 Bolt, socket M4X8	2	

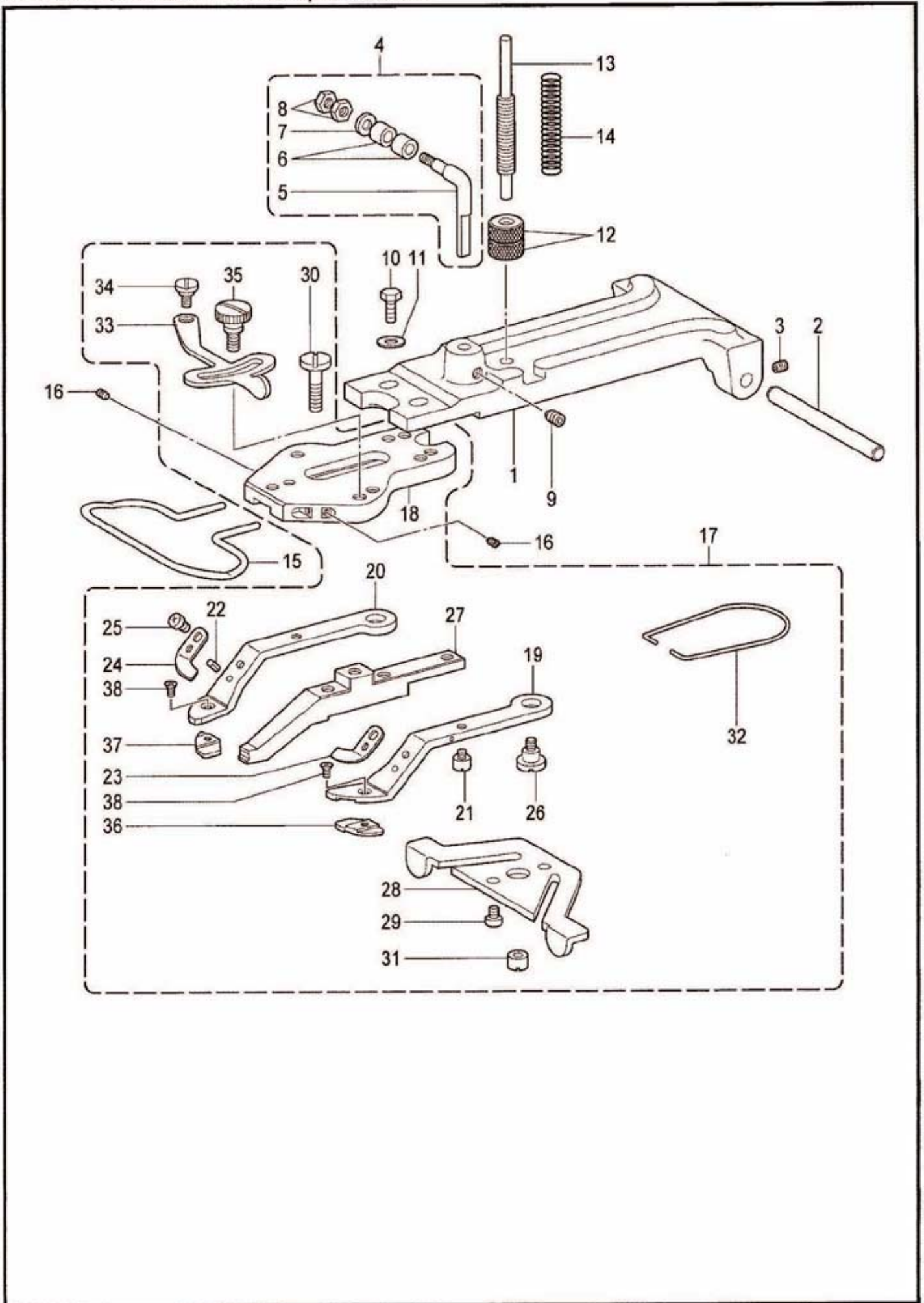
D. 抬压装置 / Work clamp lifter mechanism



4. 抬压部件 Work clamp lifter mechanism

No.	Ref.No.	Description	Qt.	Note
1	SA3429001	抬压轴套 D Footlifter bush D	1	
2	SA3430001	抬压轴套 U Footlifter bush U	1	
3	SA3432001	抬压压脚板 Work clamp lifter plate	1	HLK-430
4	037602042	弹性圆柱销 6x25 Pin, Spring roll 6x25	1	HLK-430
5	SA3628001	夹扣杆 Button clamp rod	1	HLB-430
6	SA3434001	抬压杆 Lifter lever	1	
7	152744001	销 Pin	1	
8	102630001	针杆接头滑块 Needle bar guide slide block	1	
9	SA3435001	抬压杆轴 Lever shaft	1	
10	S20356001	平垫圈 10 Washer 10	1	
11	048080342	挡圈 E8 Retaining ring E8	1	
12	012500536	固定螺钉 M5x5 Set screw M5x5	1	
13	012060636	固定螺钉 M6X6 Set screw M6X6	1	
14	SA3436001	抬压杆轴套 W-Clamp lifter lever bush	1	
15	SA3437001	抬压杆 Link	1	
16	SA3438001	轴位螺钉 Link shoulder screw	2	
17	SA3439001	驱动杠杆 Drive lever W-Clamp	1	
18	SA3430001	轴承 R-696ZZ Ball bearing R-696ZZ	1	
19	070696800	抬压滚轮轴 W-Clamp lifter roller shaft	1	
20	012500536	固定螺钉 M5x5 Set screw M5x5	1	
21	SA3442001	抬压凸轮杆轴 Cam lever shaft	1	
22	012060636	螺钉 M6X6 Set screw M6X6	2	
23	S20356001	平垫圈 10 Washer 10	2	
24	048080342	挡圈 E8 Retaining ring E8	1	
25	012500536	固定螺钉 M5x5 Set screw M5x5	1	
26	SA3443001	抬压凸轮齿轮 Cam gear	1	
27	047301042	弹性圆柱销 3x10 Pin, spring 3x10	1	
28	012060636	固定螺钉 M6X6 Set screw M6X6	2	
29	SA3444001	抬压凸轮轴 Cam shaft	1	
30	048060342	挡圈 E6 Retaining ring E6	1	
31	SA3231001	紧圈 Set screw collar	1	
32	012060536	螺钉 M6X5 Set screw M6X5	2	
33	070688850	R 球轴承 688ZZ Ball bearing ,Radial	2	
34	SA3445001	电机底座 Motor bracket	1	
35	018061236	螺栓 M6X12 Bolt,socket M6X12	2	
36	SA3446001	弹簧 Spring	1	
37	SA3707001	驱动齿轮 16 Gear 16	1	
38	012060536	固定螺钉 M6X5 Set screw M6X5	2	
39	SA3629001	夹扣滚轮轴 Button clamp roller shaft	1	HLB-430
40	107744001	滚轮 Roller	1	HLB-430
41	025040236	平垫圈 M4 Washer M4	1	HLB-430
42	021400216	螺母 M4 Nut	2	HLB-430
43	SA3630001	夹扣手柄支架 Button clamp lever holder	1	HLB-430
44	018061636	螺栓 M6X16 Bolt,socket M6X16	2	HLB-430
45	025060236	平垫圈 M6 Washer M6	2	HLB-430
46	SA3631001	夹扣手柄 Button clamp lever	1	HLB-430
47	153838001	夹扣杆轴 Button clamp lever shaft	1	HLB-430
48	012060636	固定螺钉 M6X6 Set screw M6X6	1	HLB-430
49	SA4072001	抬压凸轮止动板 Stopper	1	
50	062061016	螺栓 M6X10 Bolt,socket M6X10	1	

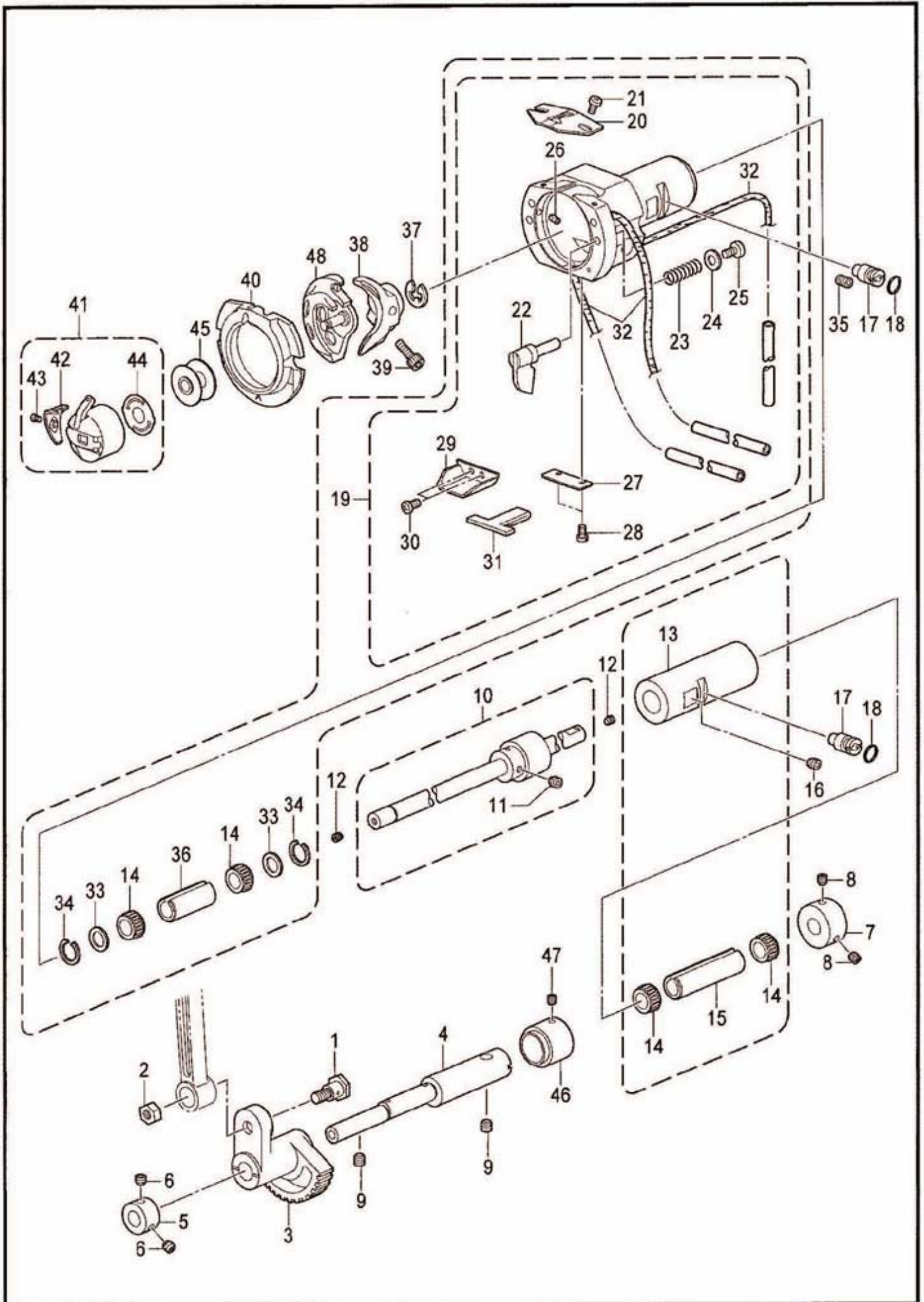
E. 钮夹 · 作动装置 / Button clamp mechanism



5. 钮夹部件 Button clamp mechanism

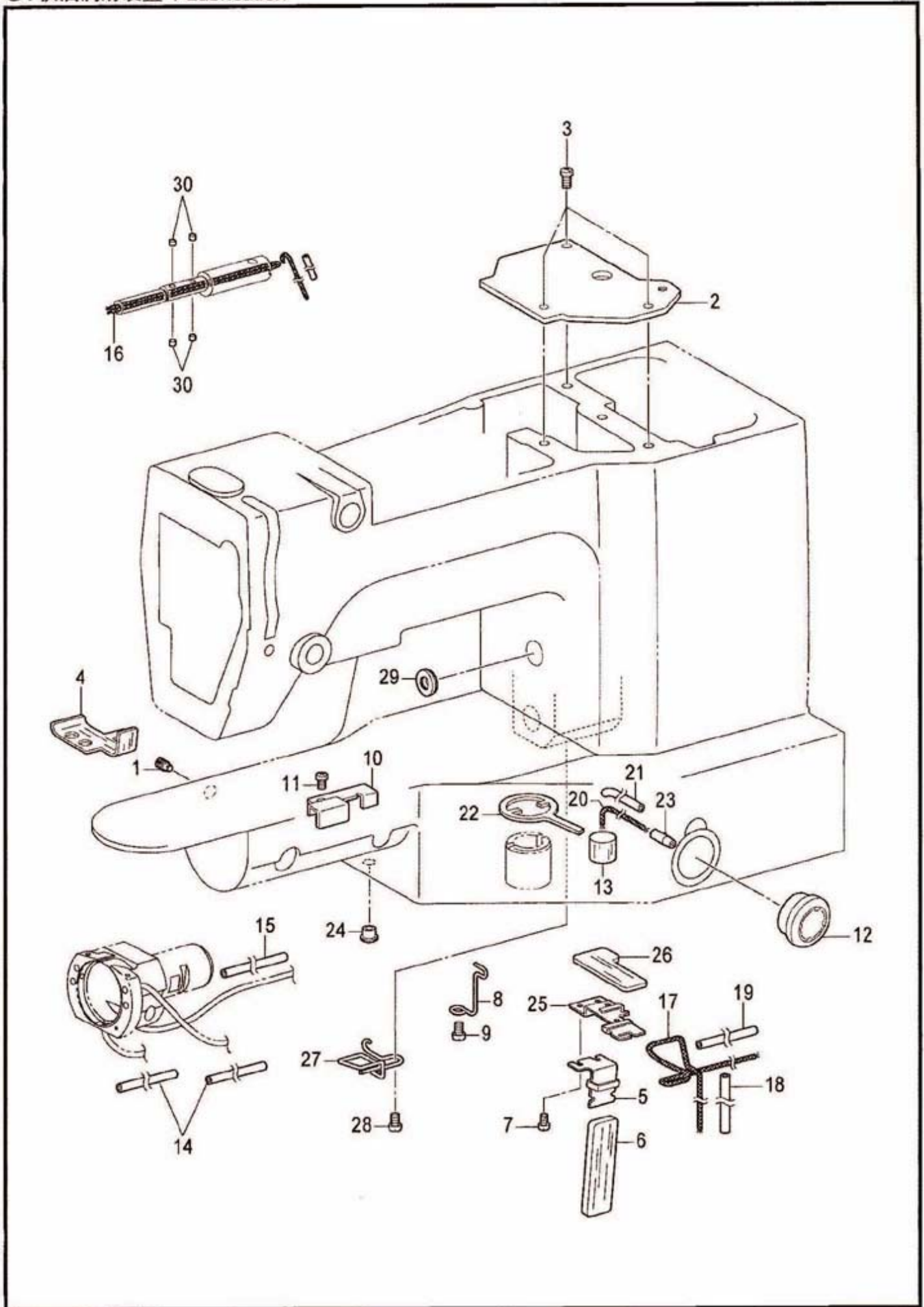
No.	Ref.No.	Description	Qt.	Note
1	153830000	钮夹支架 Button clamp holder	1	
2	153827001	钮夹支架轴 Button clamp holer shaft	1	
3	014680632	螺钉 SM4.37-40x6 Set screw SM4.37-40x6	2	
4	151968001	支架勾组件 Button clamp holder hook assy	1	
5	151969001	支架勾 B-Clamp holder hook	1	
6	107744001	滚轮 Roller	2	
7	153424001	垫片 4.76 Washer 4.76	1	
8	105234003	螺母 SM4.37 Nut SM4.37	2	
9	014760632	螺钉 SM5.95-28x6 Set screw SM5.95-28x6	1	
10	017711412	螺栓 SM4.76x14 Bolt SM4.76x14	2	
11	048080342	平垫圈 5 Washer 5	2	
12	146994001	调整螺母 SM6.35-40 Nut SM6.35-40	2	
13	115148101	螺钉 SM6.35-40 Adjusting screw SM6.35-40	1	
14	115147001	压簧 Compression spring	1	
15	S49998001	护指器 Finger guard	1	
16	011679312	固定螺钉 SM3.57 Set screw SM3.57	2	
17	S59315001	钮夹组件 2A Button clamp assy 2A	1	
18	S52093001	钮夹台 Button clamp base	1	
19	S59396001	钮夹 2AL Button clamp 2AL	1	
20	S59397001	钮夹 2AR Button clamp 2AL	1	
21	115156001	导向销 Button clamp guide pin	2	
22	047250642	弹性圆柱销 2.5 Pin, Spring 2.5	2	
23	S59318001	钮夹板弹簧 Button clamp plate spring	1	
24	S59319001	钮夹板弹簧 Button clamp plate spring	1	
25	062680512	螺钉 SM4.37-40x5 Screw SM4.37-40x5	2	
26	115158001	轴位螺钉 SM4.76 Shoulder screw SM4.76	2	
27	S59320001	钮夹 2AM Button clamp 2AM	1	
28	S03659001	钮夹调节板凸轮 Button clamp plate cam	1	
29	062680812	螺钉 SM4.37-40x8 Screw SM4.37-40x8	2	
30	S03468101	螺钉 SM4.37 Screw SM4.37	1	
31	S03657001	螺母 SM4.37 Nut SM4.37	1	
32	S59321001	弹簧 Spring	1	
33	115164101	钮夹调节板 Button clamp adjusting plate	1	
34	115165001	轴位螺钉 SM4.37 Shoulder screw SM4.37	1	
35	115166001	轴位螺钉 SM4.37 Shoulder screw SM4.37	1	
36	S52072001	钮夹垫 BL Button clamp spacer BL	1	
37	S52076001	钮夹垫 BR Button clamp spacer BR	1	
38	S01694001	螺钉 SM2.38x4 Screw SM2.38x4	2	

F. 下轴装置 / Lower shaft mechanism



6. 下轴部件 Lower shaft mechanism

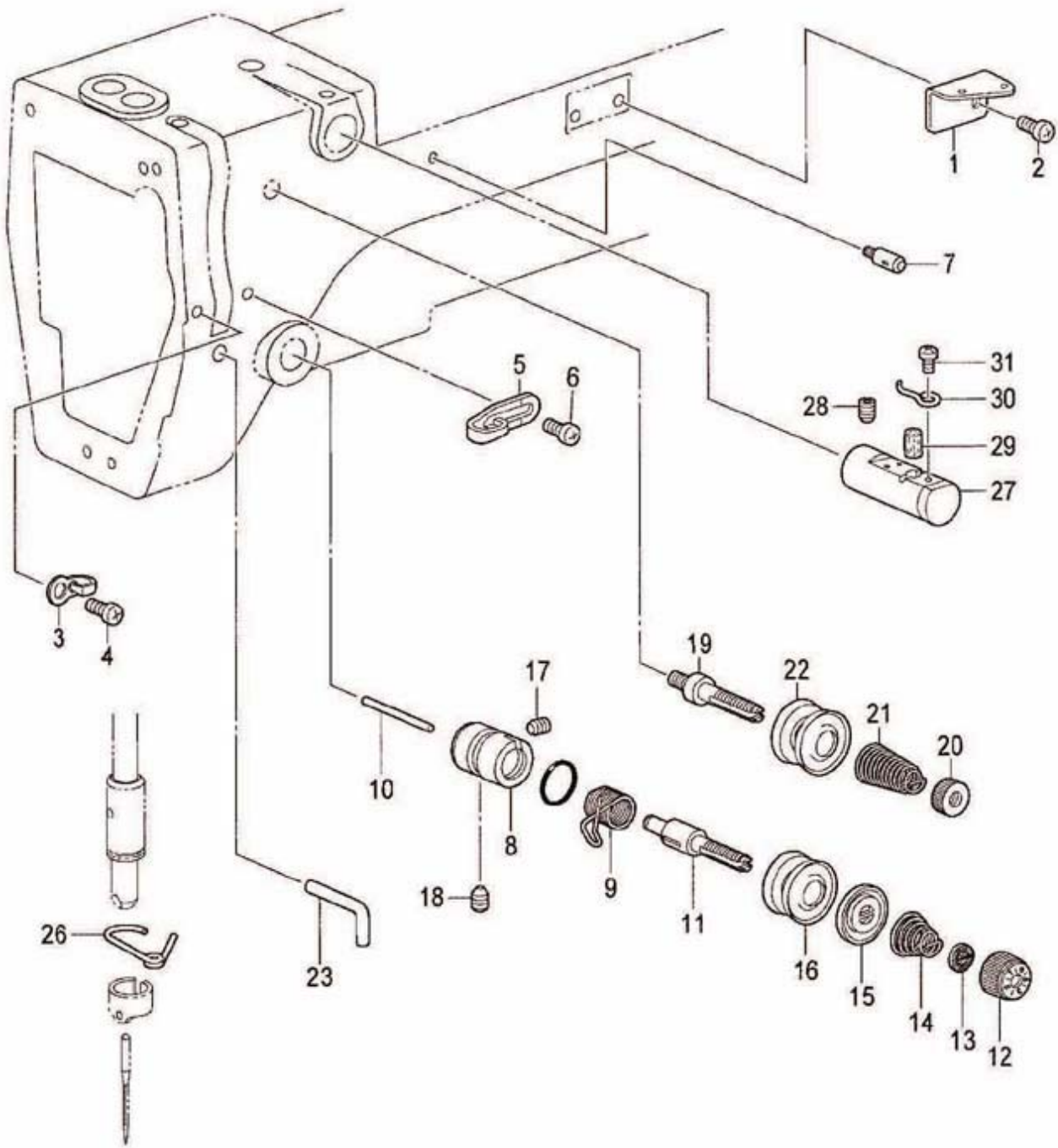
No.	Ref.No.	Description	Qt.	Note
1	SA3226001	轴位螺钉 M6 Shoulder screw M6	1	
2	SA3227001	螺母 M6 Nut M6	1	
3	SA3228001	摆动齿轮 Rock gear	1	
4	SA4068101	摆动齿轮轴 Rock gear shaft	1	
5	SA3231001	紧圈 Set screw collar	1	
6	012060536	固定螺钉 M6X5 Set screw M6X5	2	
7	SA3233001	紧圈 Set screw collar	1	
8	S23651001	固定螺钉 M6X6 Set screw M6X6	2	
9	012060636	螺钉 M6X6 Set screw M6X6	2	
10	SA3234001	下轴组件 Lower shaft assy	1	
11	012500536	固定螺钉 M5X5 Set screw M5X5	1	
12	012400436	固定螺钉 M4X4 Set screw M4X4	2	
13	SA3237001	下轴轴套 Lower shaft bush	1	选配
14	SA4187001	轴承 Needle bearing	4	选配
	SA4188001	轴承 Needle bearing	4	选配
	SA4189001	轴承 Needle bearing	4	选配
	SA4190001	轴承 Needle bearing	4	
15	SA3273001	下轴套圈 Lower shaft collar	1	
16	012060636	固定螺钉 M6X6 Set screw M6X6	1	
17	SA3238101	偏心销 Pin	2	
18	081003670	O型圈 PW3 O ring PW3	2	
19	SA3239001	大旋梭合组件 Shuttle race base assy	1	
20	S02429201	旋梭线导向 Shuttle race thread guide	1	
21	SA4199001	螺钉 M3X4 Screw M3X4	2	
22	SA3241001	大旋梭固定柄 S-Race base setting claw	2	
23	152684101	弹簧 Compression spring	2	
24	026030136	垫圈 S3 Washer S3	2	
25	062300616	螺钉 M3X6 Screw M3X6	2	
26	153050000	油毡 S-Race base felt	2	
27	SA3242101	油毡支架 Felt holder	1	
28	SA9191001	螺钉 M3X5.5 Screw M3X5.5	2	
29	SA3274101	油毡支架 Felt holder	1	
30	S47307001	螺钉 M3X4 Screw M3X4	2	
31	SA3275001	油毡 T Felt T	1	
32	S59886001	羊毛油线 L=380 Oil Thread L=380	3	
33	SA3276001	垫圈 Washer	2	
34	SA3277001	止动圈 Retaining Ring	2	
35	012060636	固定螺钉 M6X6 Set screw M6X6	1	
36	SA3278001	轴圈 Collar	1	
37	048070342	挡圈 E7 Retaining ring E7	1	
38	SA3284001	梭托 Driver	1	
39	018501232	螺栓 M5X12 Bolt,socket M5X12	1	
40	*	大旋梭 Shuttle race base	1	
41	159610301	梭芯套组件 Bobbin case assy	1	
42	154339101	夹线簧 Tension spring	1	
43	154341001	螺钉 Screw	1	
44	159612001	防空转弹簧 Anti-spin spring	1	
45	159613051	梭芯 Bobbin	1	
46	SA3283001	紧圈 Set screw collar	1	
47	012500536	固定螺钉 M5x5 Set screw M5x5	1	
48	*	中旋梭 Shuttle hook	1	



7. 供油润滑部件 Lubrication

No.	Ref.No.	Description	Qt.	Note
1	SA3244001	螺钉 Set screw	1	
2	SA3245001	曲柄盖 Crank cover	1	
3	062060816	螺钉 M6X8 Screw M6X8	3	
4	SA3279001	油毡 Felt	1	
5	SA3503201	下轴给油支架 Lower shaft wick support	1	
6	SA3504201	下轴齿轮油毡 Lower shaft gear felt	1	
7	062400616	螺钉 M4X6 Screw M4X6	2	
8	SA3282001	油线夹 Cord holder	1	
9	062060816	螺钉 M6X8 Screw M6X8	1	
10	SA3249001	油管夹 Oil tube support	1	
11	062400616	螺钉 M4X6 Screw M4X6	1	
12	S49992000	油视窗 Oil gauge window	1	
13	SA3379001	油毡 Felt	1	
14	S50529000	油管 L=300 Oil tube L=300	2	
15	S28415000	油管 L=225 Oil tube L=225	1	
16	S45849000	油线 4x4 L=320 Wick 4x4 L=320	1	
17	I53922001	油线 L=510 Wick L=510	1	
18	SA1302001	油管 L=120 Oil tube L=120	1	
19	S56877000	油管 L=150 Oil tube L=150	1	
20	S34012000	油线 4X4 L=220 Wick 4X4 L=220	1	
21	143671000	油管 L=150 Oil tube L=150	1	
22	SA3287001	油毡 Felt	1	
23	S07333001	油管 S Oil feeding pipe, S	1	
24	146080000	橡皮塞 Cord bush	1	
25	SA3246001	齿轮供油支架 Gear wick support	1	
26	SA3280001	齿轮油毡 Gear felt	1	
27	SA4462001	油线夹 Cord holder	1	
28	062060816	螺钉 M6X8 Screw M6X8	1	
29	SA4222001	油封 Oil cork	1	
30	153050000	油毡 S-race base felt	4	

H. 穿线装置 / Threading mechanism

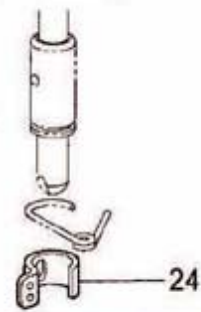


< 用于 -02 劳动布 / For " -02 "Denim" >



< 用于 -01 普通织物&女性内衣 / For " -01 "Ordinary materials & Foundation garments" >

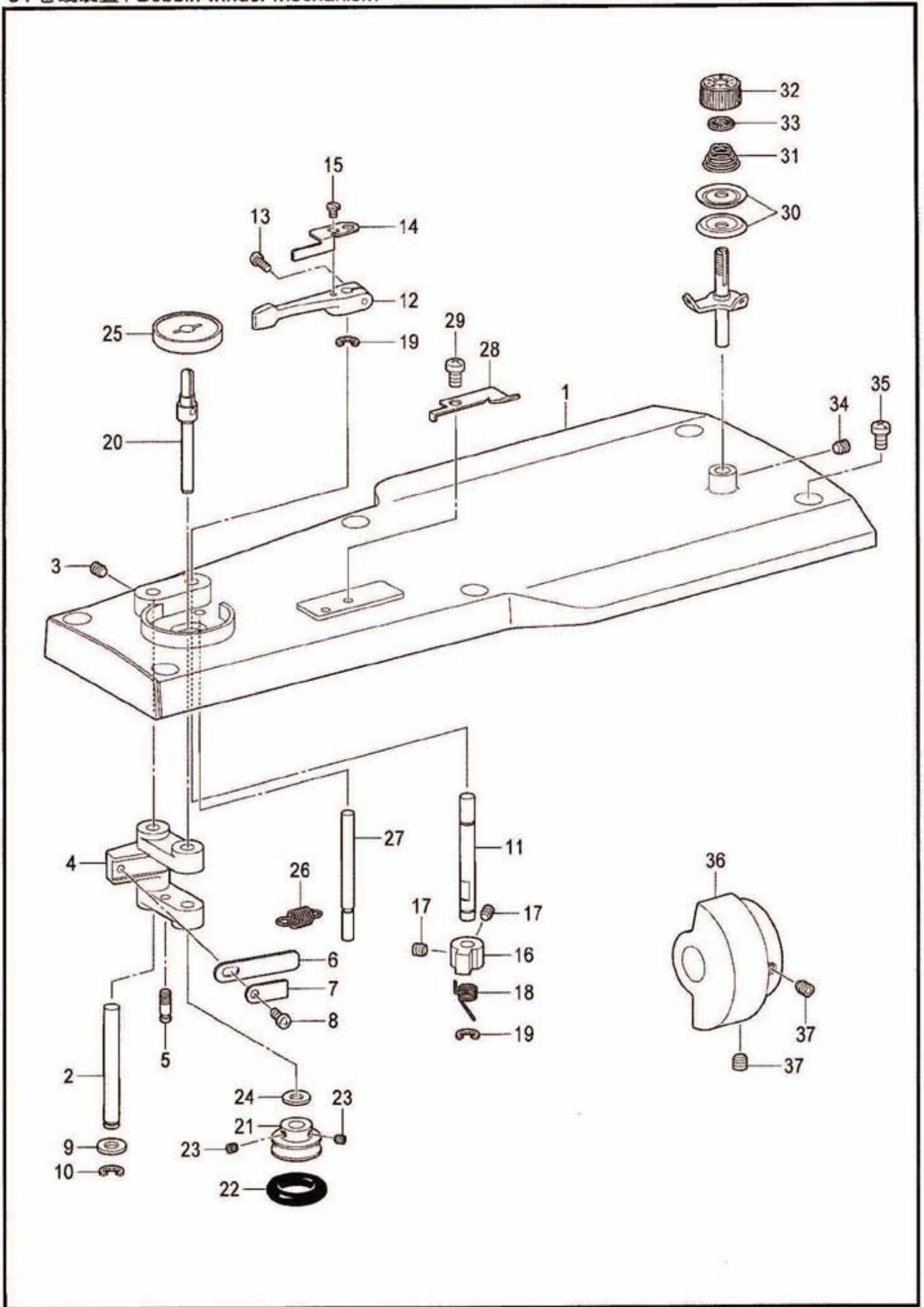
< 用于 HLB-430 / For " HLB-430 " >



8. 穿线部件 Threading mechanism

No.	Ref.No.	Description	Q t.	Note
1	SA3250001	过线导向 A	Arm thread guide , A	1
2	062500616	螺钉 M5X6	Screw M5X6	1
3	SA4333001	过线导向 B	Arm thread guide , B	1
4	062500616	螺钉 M5X6	Screw M5X6	1
5	SA3252001	过线导向 C	Arm thread guide , C	1
6	062500536	螺钉 M5X6	Screw M5X6	1
7	153049001	面线导向杆	Upper thread guide stud	1
8	SA3254001	夹线座	Tension bracket	1
9	*	挑线弹簧	Thread take-up spring	1
10	S12699000	松线销	Tension release pin	1
11	SA3255001	夹线杆轴	Tension stud	1
12	S31032001	压线螺母	Tension nut	1
13	S12441001	止动垫圈	Washer	1
14	*	弹簧	Tension spring	1
15	159805001	夹线压盘	Tension disc presser	1
16	145446001	夹线盘	Disc ,Tension	2
17	100402004	螺钉 SM3.57	Set screw SM3.57	1
18	SA1229101	螺钉 M6X6	Set screw M6X6	1
19	SA3256001	夹线杆轴	Tension stud	1
20	100136001	夹线螺母	Tension nut	1
21	SA4146001	弹簧	Sub tension spring	1
22	145446001	夹线盘	Disc ,tension	2
23	159224001	线钩	Thread guide ,Arm	1
24	SA3635001	针杆线导向 B	Needle bar thread guide , B	1
25	SA3257001	针杆线导向 A	Needle bar thread guide ,A	1
26	SA3258001	针杆轴套线导向	N-bar bush thread guide	1
27	158881001	线冷却器组件	Needle cooler assy	1
28	012060636	固定螺钉 M6X6	Set screw M6X6	1
29	152883000	油毡 8X15.5	Felt 8X15.5	1
30	152884001	过线钩	Needle cooler thread guide	1
31	062670412	螺钉 SM3.57-40X4	Screw SM3.57-40X4	1

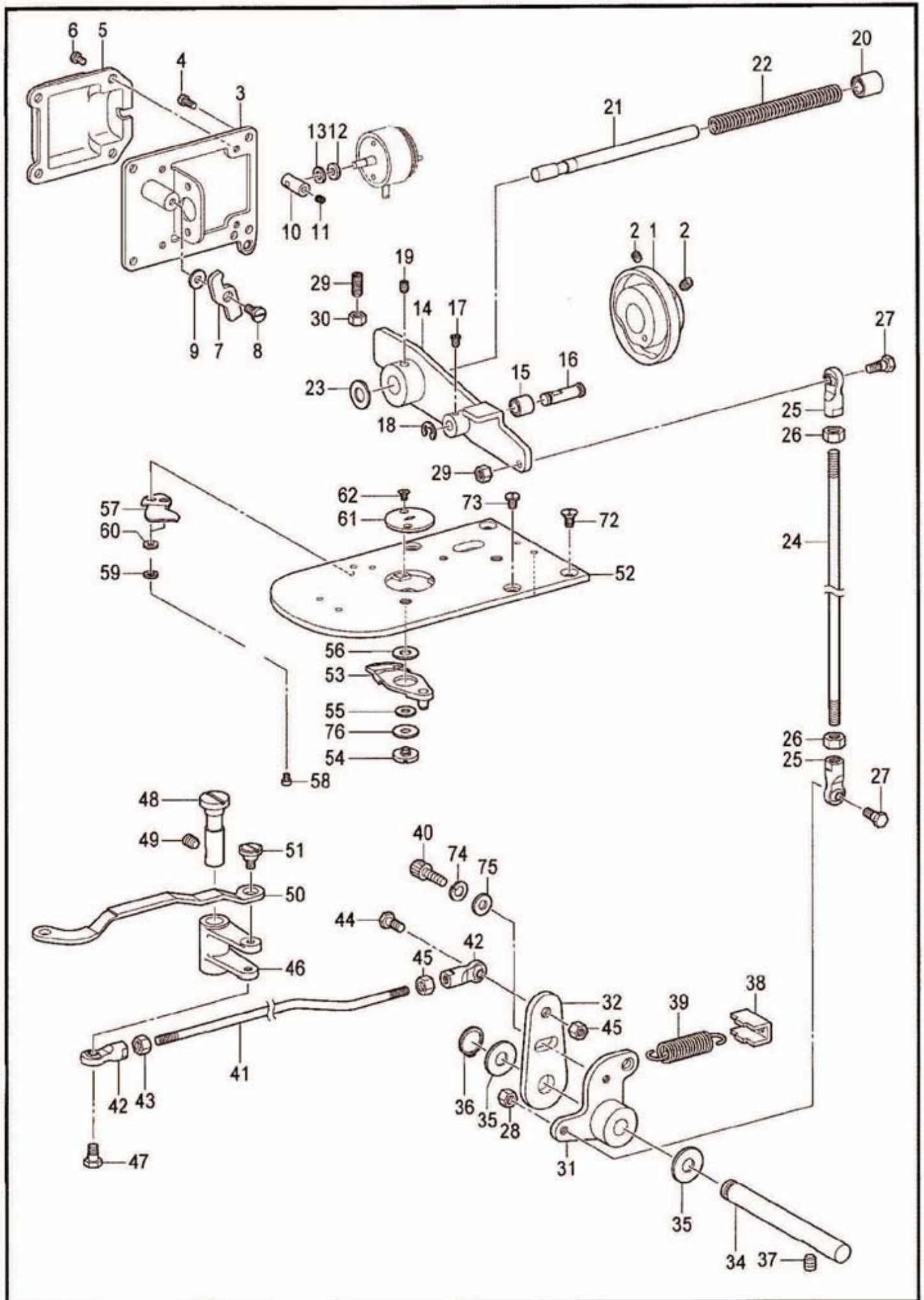
J. 卷线装置 / Bobbin winder mechanism



9. 卷线部件 Bobbin winder mechanism

No.	Ref.No.	Description	Qt.	Note
1	SA3289001	上盖 Top cover	1	
2	SA3290001	绕线手柄轴 Shaft, Bw-lever	1	
3	012500536	固定螺钉 M5X5 Set screw M5X5	1	
4	SA3291001	绕线手柄 Bobbin winder lever	1	
5	SA4171001	弹簧挂钩 Spring hook	1	
6	152936001	板弹簧 Plate spring	1	
7	152937001	垫圈 Washer	1	
8	062350616	螺钉 M3.5X6 Screw M3.5X6	1	
9	159486001	平垫圈 Washer	1	
10	048050342	挡圈 E5 Retaining ring E5	1	
11	SA3293001	绕线卡爪轴 Stud, B-winder claw	1	
12	SA1984001	梭芯压臂柄 Bobbin presser arm	1	
13	062401216	螺钉 M4X12 Screw M4X12	1	
14	SA3294001	梭芯压杆 Bobbin presser	1	
15	S23418001	螺钉 M4X4.5 Screw M4X4.5	1	
16	SA3295001	绕线卡爪 Claw, B-winder	1	
17	012400436	固定螺钉 M4X4 Set screw M4X4	2	
18	S10438001	扭簧 Spring	1	
19	048050342	挡圈 E5 Retaining ring E5	2	
20	SA3296001	绕线轴 Bobbin winder shaft	1	
21	SA3297001	卷线器 Wheel, B-winder	1	
22	120448001	橡皮圈 Bobbin winder rubber band	1	
23	012400436	固定螺钉 M4X4 Set screw M4X4	2	
24	025060136	平垫圈 S6 Washer S6	2	
25	SA1988001	梭芯座 Bobbin support	1	
26	S10268001	拉簧 Spring	1	
27	SA3298001	止动轴 Stopper shaft	1	
28	SA3299001	切刀 Knife	1	
29	062500616	螺钉 M5X6 Screw M5X6	1	
30	145446001	夹线盘 Disc, Tension	2	
31	100401021	夹线弹簧 Tension spring	1	
32	S31032001	压线螺母 Tension nut	1	
33	S12441001	止动垫圈 Washer	1	
34	012500536	固定螺钉 M5X5 Set screw M5X5	1	
35	062051016	螺钉 M6X10 Screw M6X10	6	
36	SA3300001	卷线驱动轮 Driving wheel	1	
37		固定螺钉 M6X6 Set screw M6X6	2	

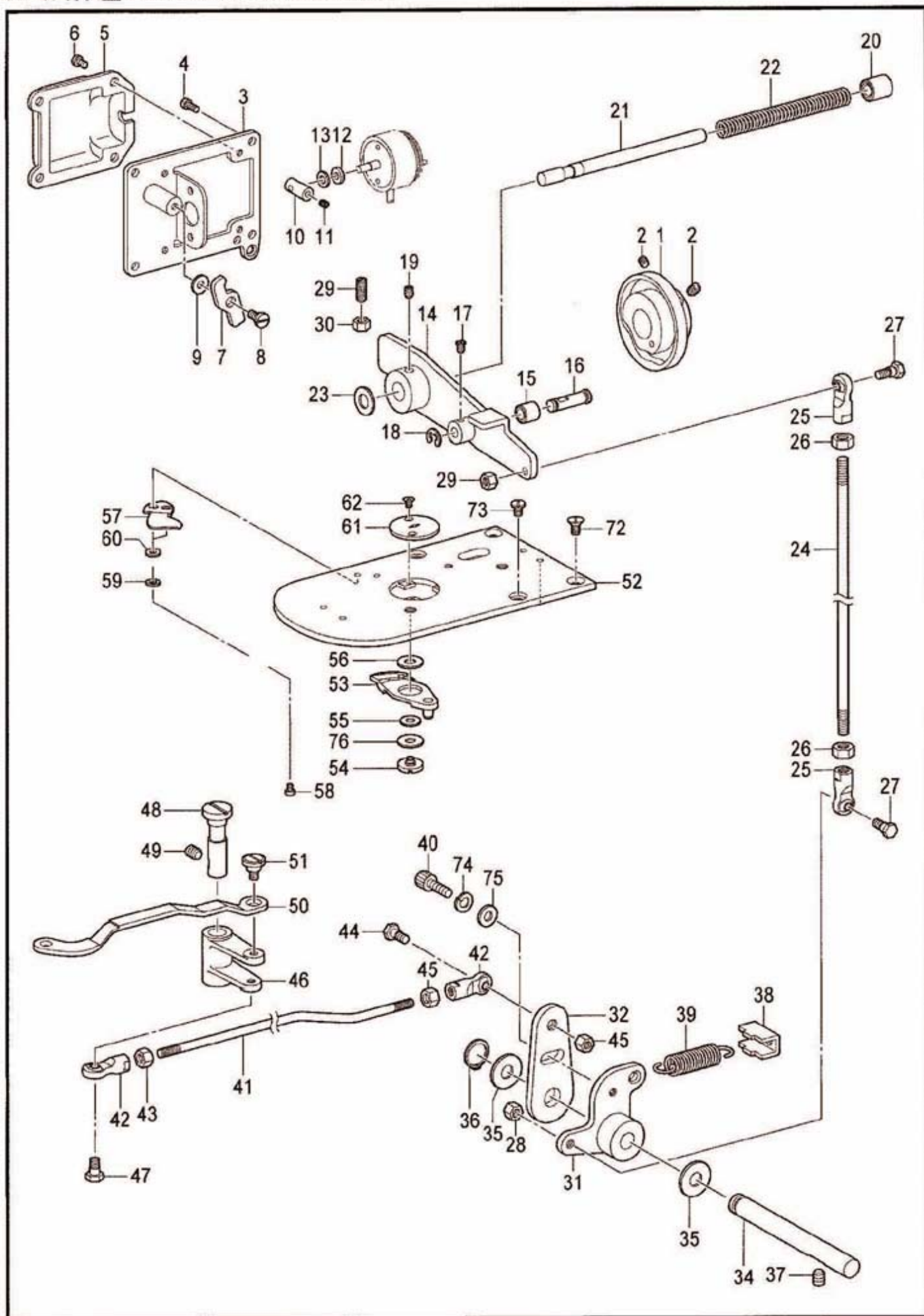
K. 切线装置 / Thread trimmer mechanism



10. 切线部件 Thread trimmer mechanism

No.	Ref.No.	Description	Qt.	Note
1	SA3301101	剪线凸轮 Thread trimmer cam	1	
2	S23651001	固定螺钉 M6X6 Set screw M6X6	2	
3	SA3304001	电磁铁安装板 Setting plate	1	
4	062400816	螺钉 M4x8 Screw M4x8	4	
5	SA3303001	电磁铁盖 Tr- solenoid cover	1	
6	060400516	螺钉 M4x5 Screw M4x5	4	
7	SA3305001	驱动杆压杆 Pushing lever, Driving lever	1	
8	SA3306001	轴位螺钉 7-3 Shoulder screw 7-3	1	
9	S39690021	垫圈 Washer	1	
10	SA3307001	电磁铁杆 Solenoid lever	1	
11	012400436	固定螺钉 M4x4 Set screw M4x4	1	
12	154599000	电磁铁缓冲垫 Solenoid cushion	1	
13	S02652001	垫圈 Washer	1	
14	SA3309001	剪线驱动杆 Tr-driving lever	1	
15	SA3310001	剪线滚轮 Collar , Tr-trimmer	1	
16	SA3311001	剪线滚轮轴 Collar shaft	1	
17	012400436	固定螺钉 M4x4 Set screw M4x4	1	
18	048040342	挡圈 E4 Retaining ring E4	1	
19	S23651001	固定螺钉 M6x6 Set screw M6x6	1	
20	231071001	轴套 8x15 Bush 8x15	1	
21	SA3312001	驱动杆导向轴 Guide shaft	1	
22	SA3313001	弹簧 Spring	1	
23	154596000	减震垫圈 Cushion	1	
24	SA3315001	剪线杆 V Thread trimmer rod V	2	
25	S32465001	接头组件 Ball joint assy	2	
26	021060106	螺母 M6 Nut M6	2	
27	S32462001	轴位螺钉 M6 Shoulder screw M6	2	
28	021060106	螺母 M6 Nut M6	1	
29	S25475001	螺钉 M6x19 Set screw M6x19	1	
30	021060106	螺母 M6 Nut M6	1	
31	SA4546001	剪线杠杆 V Thread trimmer lever V	1	
32	SA3317001	剪线杠杆 H Thread trimmer lever H	1	
33	SA3318001	剪线杠杆垫圈 Specer	1	
34	SA3319001	剪线杠杆轴 Shaft,Tr-trimmer lever	1	
35	153596001	平垫圈 8 Washer 8	1	
36	048070342	挡圈 E7 Retaining ring E7	1	
37	012060636	固定螺钉 M6x6 Set screw M6x6	1	
38	SA3320001	弹簧挂钩 Spring	1	
39	SA3321001	剪线复位弹簧 Spring , Extension	1	

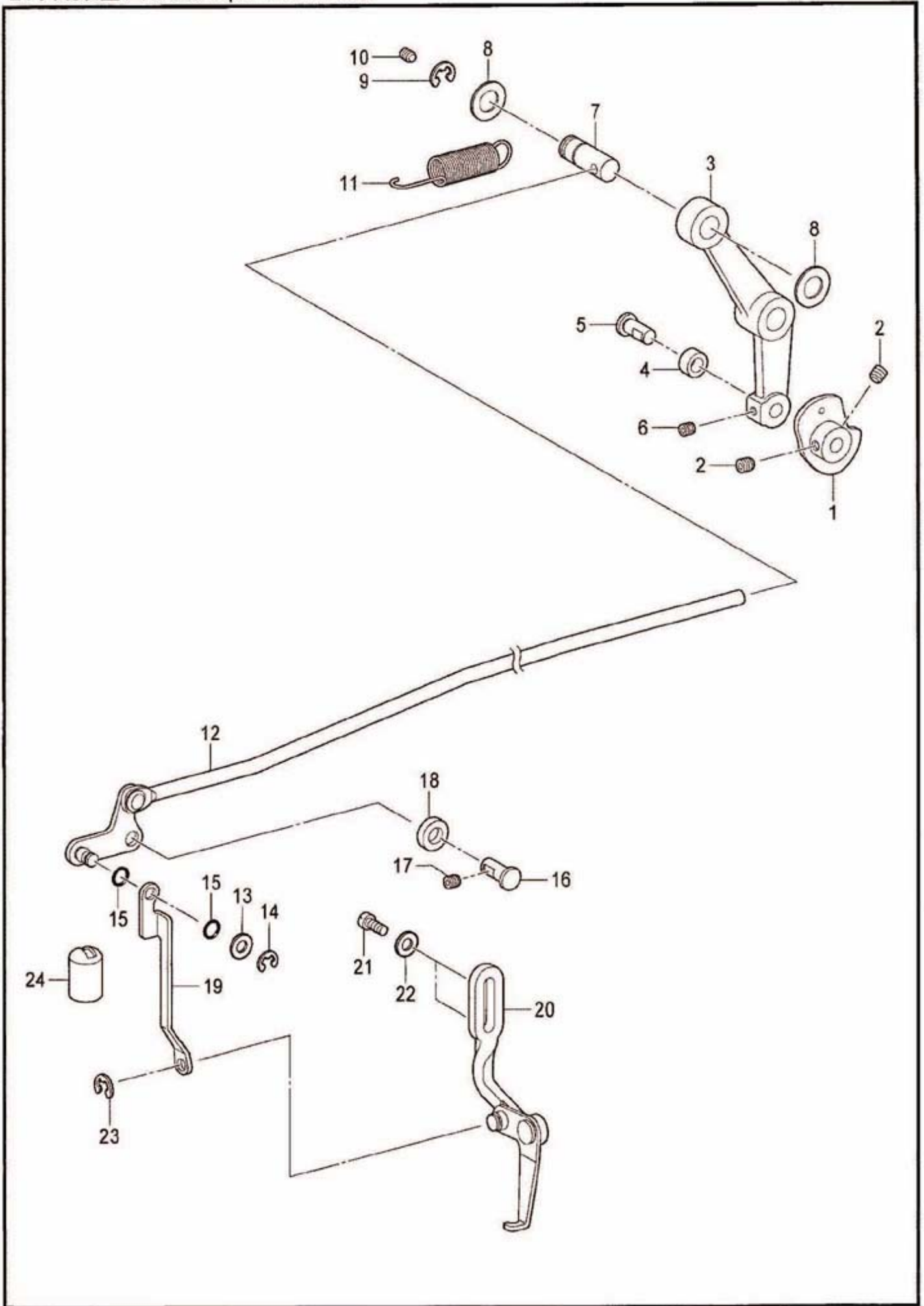
K. 切线装置 / Thread trimmer mechanism



10. 切线部件 Thread trimmer mechanism

No.	Ref.No.	Description	Qt.	Note
40	018501032	螺栓 M5x10 Bolt ,Socket M5x10	1	
41	SA3323001	剪线杆 H Thread trimmer rod H	1	
42	S32465001	接头组件 Ball joint assy	2	
43	021060106	螺母 M6 Nut M6	2	
44	S32462001	轴位螺钉 M6 Shoulder screw M6	1	
45	021060306	螺母 M6 Nut M6	1	
46	SA3324001	动刀曲柄 Moving knife lever	1	
47	SA3325001	轴位螺钉 6.35-6 Shoulder screw 6.35-6	1	
48	SA3326001	动刀曲柄轴 Shaft,M-knife lever	1	
49	012060636	固定螺钉 M6x6 Set screw	1	
50	SA3327001	动刀连杆 M-knife connecting plate	1	
51	SA3356001	轴位螺钉 6-2.2 Shoulder screw 6-2.2	1	
52	SA3655001	针板 SC Needle plate SC	1	
53	SA3330001	动刀组件 Moving knife assy	1	HLK-430-02
	SA3656001	动刀组件 SC Moving knife assy	1	HLK-430-01 HLB-430
54	SA3333001	轴位螺钉 Shoulder screw	2	
55	S07705001	动刀垫圈 Washer	1	
56	SA6397001	垫圈 0.2 Washer 0.2	1	
	SA3334001	垫圈 0.3 Washer 0.3	1	
	SA6398001	垫圈 0.4 Washer 0.4	1	
57	SA3335001	定刀 Fixed knife	1	HLK-430-02
	SA3658001	定刀 SC Fixed knife	1	HLK-430-01 HLB-430
58	062300416	螺钉 M3x4 Screw M3x4	2	
59	028030246	弹性垫圈 2-3 Washer ,Spring 2-3	2	HLB-430
60	025060236	平垫圈 3 Washer	2	
61	S10268001	针孔板 Needle holder plate	1	
62	100360003	螺钉 SM2.38 Screw SM2.38	2	
72	S25310101	螺钉 M4 Screw M4	2	
73	SA3538001	螺钉 M4x8 Screw M4x8	2	
74	028060236	弹簧垫圈 2-5 Washer Spring 2-5	1	
75	100401021	垫圈 5 Washer ,Plain 5	1	
76	S31032001	动刀圈套 Thrust Washer	1	

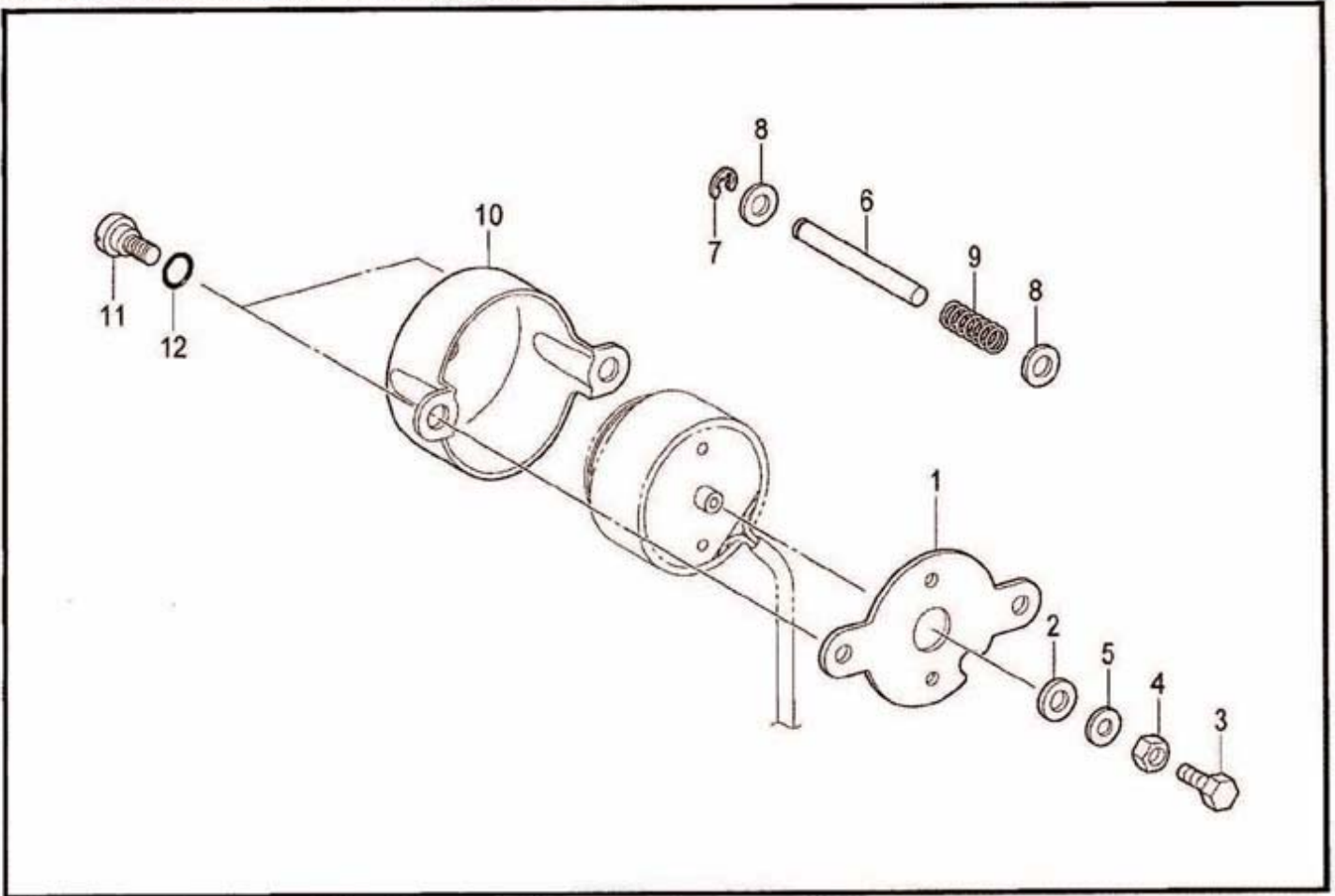
L. 扫线装置 / Thread wiper mechanism



11. 扫线部件 Thread wiper mechanism

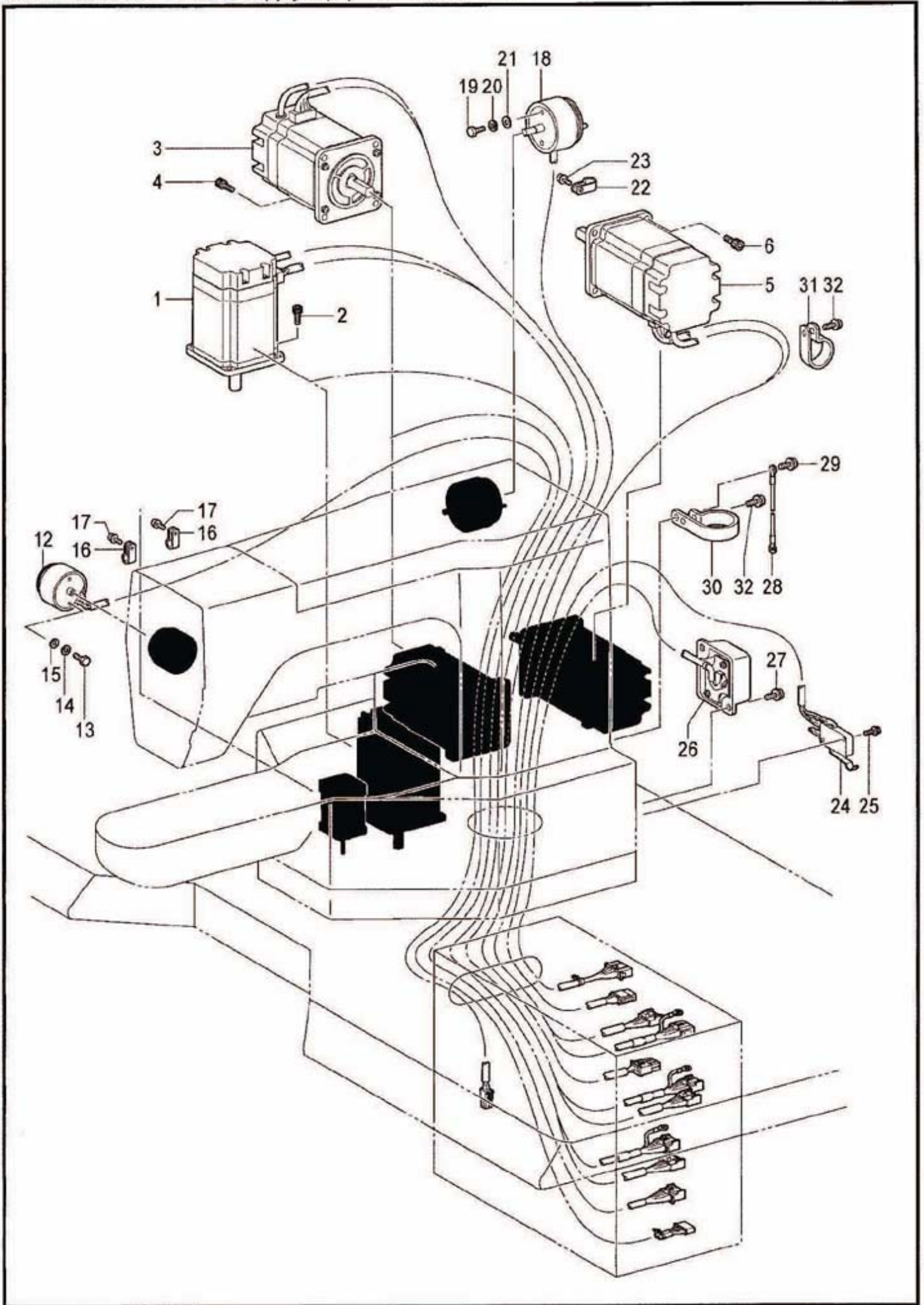
No.	Ref.No.	Description	Qt.	Note
1	SA3447001	扫线凸轮 Thread wiper cam	1	
2	012060636	固定螺钉 M6X6 Set screw M6X6	2	
3	SA3448001	扫线驱动曲柄 Driving lever ,Thread wiper	1	
4	SA3449001	扫线滚轮 Thread wiper roller	1	
5	SA3441001	抬压滚轮轴 W-Clamp lifter roller shaft	1	
6	012500536	螺钉 M5X5 Set screw M5X5	1	
7	SA3451001	扫线杆轴 Thread wiper rod shaft	1	
8	S20356001	平垫圈 10 Washer 10	2	
9	048080342	挡圈 E8 Retaining ring E8	1	
10	012500536	固定螺钉 M5X5 Set screw M5X5	1	
11	SA3446001	弹簧 Spring	1	
12	SA3452001	扫线杆组件 Thread wiper rod assy	1	
13	025050134	平垫圈 5 Washer 5	1	
14	028040342	挡圈 E4 Retaining ring E4	1	
15	081005070	O形圈 P5 O ring P5	2	
16	SA3441001	抬压滚轮轴 W-Clamp lifter roller shaft	1	
17	012500536	固定螺钉 M5X5 Set screw M5X5	1	
18	S38033001	定位垫圈 Collar	1	
19	SA3458001	扫线连接板 Connecting plate	1	
20	SA3459101	扫线臂组件 Thread wiper arm assy	1	
21	062401006	螺钉 M4X10 Screw M4X10	2	
22	025040236	平垫圈 4 Washer 4	2	
23	048040342	挡圈 E4 Retaining ring E4	1	
24	SA3464001	油塞 Oil cap	1	

M. 系统装置 / Tension release mechanism



12. 松线部件 Tension release mechanism

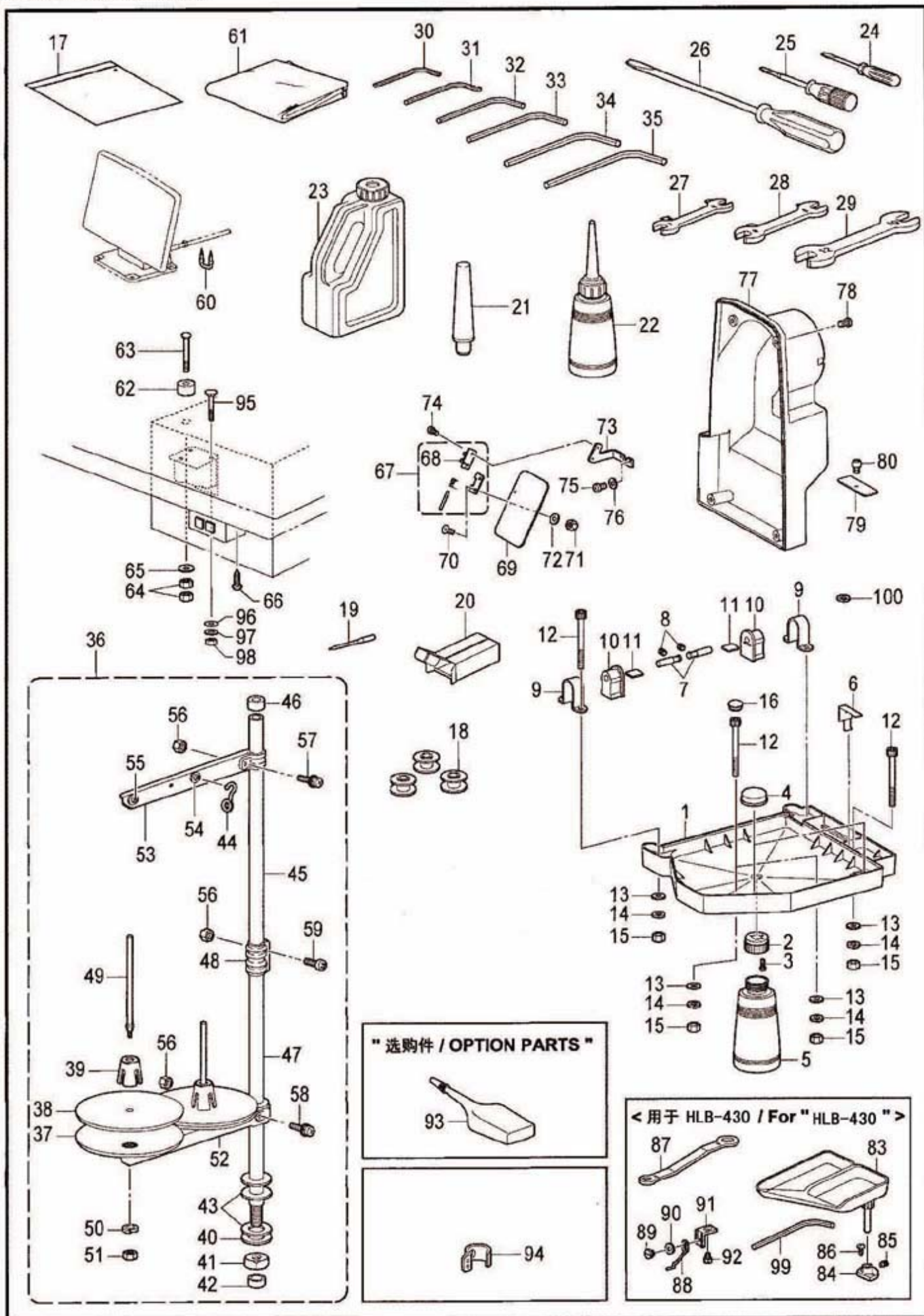
No.	Ref.No.	Description	Qt.	Note
1	SA3345001	电磁铁安装板 Setting plate ,Solenoid	1	
2	154599000	电磁铁缓冲垫圈 Solenoid cushion	1	
3	017401015	螺栓 M4x10 Bolt , M4x10	1	
4	021400306	螺母 M4 Nut M4	1	
5	025040276	平垫圈 4 Washer 4	1	
6	SA3347001	松线杆 Tension release bar	1	
7	048040342	挡圈 E4 Retaining ring E4	1	
8	025050236	平垫圈 5 *Washer 5	2	
9	SA3348001	弹簧 Spring	1	
10	SA3349001	电磁铁盖 Solenoid cover	1	
11	SA3350001	轴位螺钉 Shoulder screw	2	
12	081007070	O 型圈 P7 O Ring P7		



13. 电控部件 Control mechanism

No.	Ref.No.	Description	Qt.	Note
1	SA3465301	送布电机组件 X Feeding motor assy X	1	
2	018401036	螺栓 M4X10 Bolt M4X10	4	
3	SA3469301	送布电机组件 Y Feeding motor assy Y	1	
4	018400836	螺栓 M4X8 Bolt M4X8	4	
5	SA3472201	抬压电机组件 Footlifting motor assy	1	
6	018401036	螺栓 M4X10 Bolt M4X10	4	
7	SA4127001	夹线电机组件 Tension motor assy	1	
8	062300816	螺钉 M3X8 Screw M3x8	4	
9	048030246	弹性垫圈 2-3 Spring washer 2-3	4	
10	SA3477001	光偶检测器 Sensor	2	
11	062300816	螺钉 M3X8 Screw M3X8	2	
12	021030106	螺母 M3 Nut M3	1	
13	SA4347001	松线电磁铁组件 Tension release solenoid assy	1	
14	018400802	螺栓 M4x8 Bolt M4x8	2	
15	025040236	平垫圈 4 Washer, Plain 4	2	
16	048040246	弹性垫圈 4 Washer, Spring 4	2	
17	SA4348001	剪线电磁铁组件 Thread trimmer solenoid assy	1	
18	018400802	螺栓 M4X8 Bolt M4x8	2	
19	025040236	平垫圈 4 Washer, Plain 4	2	
20	048040246	弹性垫圈 4 Washer, Spring 4	2	
21	SA3481001	安全开关组件 Safety switch assy	1	
22	0A5301605	螺钉组合件 M3x14DA Screws M3x14DA	2	
23	SA3486001	机头接地线 Grounding line	1	
24	146202000	尼龙线夹 (小) Cord holder (S)	2	
25	554482000	尼龙线夹 (中) Cord holder (M)	1	
26	S11817000	尼龙线夹 (大) Cord holder (B)	2	
27	0A5401006	螺钉组合件 M4x10DB Screws M4x10DB	6	
28	J04299001	主轴电机组件 Main shaft motor assy	1	
29	018501636	螺钉 M5x20 Screw M5x20	4	

Z. 附件 / Accessories



14. 附件 Accessories

No.	Ref.No.	Description	Qt.	Note
1	SA3383001	油盘组件	Oil pan assy	1
6	114486002	油壶	Oiler	1
7	SA3820001	弹簧	Spring	1
8	SA3384001	机头支撑销	Pin	2
9	012060636	固定螺钉 M6x6	Screw M6x6	2
10	SA3385001	机头铰链座	Hinge holder	2
11	SA3395001	橡皮铰链	Rubber cushion	2
12	SA3392001	垫片	Spacer	2
13	SA3387001	螺栓 M6x75	Bolt M6x75	4
14	025040336	平垫圈 6	Washer, Plain 6	7
15	028060246	弹性垫圈 2-6	Washer, Spring 2-6	7
16	021060106	螺母 M6	Nut M6	7
17	S32264001	橡皮塞 11.5	Rubber cap 11.5	2
18	159613051	梭芯	Bobbin	3
19	*	机针组	Needle assy	1 包
20	144226001	机头罩	Head cover	1
21	SA3380001	机头撑杆	Head rest	1
22	114483002	油壶组件	Oiler assy	1
23	S55663001	油罐组件	Oil tank assy	1
24	142443001	小起子 1.9 X52	Screw-driver 1.9 X52	1
25	118837001	起子 3.4 X70	Screw-driver 3.4 X70	1
26	101572101	起子 5.5X190	Screw-driver 5.5X190	1
27	107779001	扳手 6X7	Wrench 6X7	1
28	100887001	双头扳手 8X9	Wrench 8X9	1
29	107780001	扳手 10X12	Wrench 10X12	1
30	S07783001	内六角扳手 1.5	Hexagonal wrench 1.5	1
31	142002001	内六角扳手 2	Hexagonal wrench 2	1
32	154125001	内六角扳手 2.5	Hexagonal wrench 2.5	1
33	142721001	内六角扳手 3	Hexagonal wrench 3	1
34	118064001	内六角扳手 4	Hexagonal wrench 4	1
35	150335001	内六角扳手 5	Hexagonal wrench 5	1
36	S02763402	线架组件	Cotton stand assy	1
37	S51283001	垫圈	Spool stand base	2
38	150182000	线盘软垫	Spool mat	2
39	S51282101	线轴缓冲架	Spool cushion	2
40	150206002	平垫圈 16	Washer, Plain 16	1
41	S38648001	螺母	Nut	1
42	150174000	线架支撑套管	Column cap	1
43	S01005000	橡皮垫圈	Rubber washer	2
44	S02747101	弹簧	Spring	1
45	150172003	线架支撑管	Column pipe	1
46	150174000	线架支撑套管	Column cap	1
47	156112003	线架撑管	Column pipe	1
48	150173003	撑管夹	Column joint	1
49	150179002	线轴	Spool shaft	2
50	028050246	弹性垫圈 2-5	Washer, Spring 2-5	2
51	021500106	六角螺母 M5	Nut, M5	2
52	S02778002	插线架	Spool holder	1
53	S02787002	过线架	Thread hanger	1
54	150183000	过线管套	Thread hanger base	2
55	142990001	过线管	Thread bush	2
56	021500106	六角螺母 M5	Nut M5	4
57	S37038001	螺钉 M5X14	Screw M5X14	1
58	S37037001	螺钉 M5X32	Screw M5X32	1
59	062501406	螺钉 M5X14	Screw M5X14	2

上海标准海菱缝制机械有限公司
SHANGHAI BIAOZHUN HAILING SEWING MACHINERY CO., LTD.

地址: 上海市松江区850号

ADD: No.850, ShuLin Road, SongJiang District, Shanghai, P.R. China

邮编: 201612

Zip Code: 201612

内销业务: 电话: 86-21-64061284 传真: 86-21-64462799

零件服务: 电话: 86-21-64851424 传真: 86-21-64069792

Overseas Business: TEL: 86-21-64853303 FAX: 86-21-64854304

E-mail: sales@highlead.com.cn <http://www.highlead.com.cn>